

powerbass®



OE8C-T3Y
OE42-T3Y
OE40CN-T3Y
OE40CW-T3Y

TESLA O.E.M. PLUG & PLAY

Application Guide

Please read through this manual to familiarize yourself with your new speakers. Should your PowerBass speaker components ever require service, you will need to have the original dated receipt.



Thank you and Congratulations

Congratulations on your purchase of PowerBass speakers. You now own a speaker of uncompromising design and engineering from a factory that truly believes in the relentless pursuit of perfection. Incorporating the highest quality parts and state-of-the-art materials, these speakers display the ultimate balance between high fidelity, performance and long-lasting reliability.



At PowerBass USA, Inc. we are confident you will have many years of outstanding enjoyment from this great Component Speaker investment. For maximum performance we recommend that you have your new PowerBass product installed by an Authorized PowerBass Dealer.

To learn more about PowerBass, please visit us on the World Wide Web at
<http://www.powerbassusa.com>

Δ Warning Δ

Continuous exposure to sound pressure levels in excess of 100 dB can cause permanent hearing loss. PowerBass Autosound Speakers are capable of producing sound pressure levels well over 170 dB. Please observe all local sound ordinances while listening to your PowerBass Autosound system. PowerBass USA, Inc. accepts no liability for hearing loss, bodily injury, or property damage due to the result of use or misuse of this product.

POWERBASS TESLA OEM PLUG & PLAY FEATURES

- Injection PP Cone
- Nylon OEM Speaker Basket
- 3/4" Mylar Dome Tweeter on Coaxials
- 1" Silk Dome Tweeter with Diffuser on Components Kits
- Rear Door Mounting Hardware Included (OE42/OE40W-T3Y)



OE8C-T3Y
sold as pair - (8" woofer x2, tweeters x2)



OE42-T3Y
sold as pair - (4" coaxial x2)



OE40CN-T3Y
sold as set - (4" woofer x1, tweeter x1)



OE40CW-T3Y
sold as pair - (4" mid x2)

SPECIFICATIONS

(Due to Constant Improvements, Specifications and Parameters are subject to change without notice.)

| Model # | Size | Nominal Impedance | Frequency Response | Sensitivity 1W/1M | Power RMS/Peak |
|------------|------|-------------------|--------------------|-------------------|----------------|
| OE8C-T3Y | 8" | 4Ω | 50Hz -21kHz | 87 | 90 / 180 |
| OE40CW-T3Y | 4" | 4Ω | 95Hz -10kHz | 85 | 50 / 100 |
| OE40CN-T3Y | 4" | 4Ω | 95Hz -21kHz | 87 | 50 / 100 |
| OE42-T3Y | 4" | 4Ω | 95Hz -21kHz | 87 | 50 / 100 |

Before beginning your installation, thoroughly read this guide and keep it as a reference. It will give you tips on proper placement, wiring, and installation as well as how to obtain the best sound from the PowerBass speakers you have selected.

LIST OF COMPATIBLE TESLA VEHICLES

OE8C-T3Y | OE42-T3Y | OE40CN-T3Y | OE40CW-T3Y

Speakers may fit additional year range other than those listed below - To verify fitment for your specific year and model, please see our expanded fitment guide at www.powerbassusa.com or speak to an authorized PowerBass Dealer or Certified Installer.

OE8C-T3Y

MODEL 3 – 2018 -2024
MODEL Y – 2020 – 2025
CYBERTRUCK
MODEL Y JUNIPER
MODEL 3 HIGHLAND

OE42-T3Y

MODEL 3 – 2018 -2024
MODEL Y – 2020 – 2025
CYBERTRUCK
MODEL Y JUNIPER
MODEL 3 HIGHLAND

OE40CN-T3Y

MODEL 3 – 2018 -2024
MODEL Y – 2020 – 2025
MODEL Y JUNIPER
MODEL 3 HIGHLAND

OE40CW-T3Y

MODEL 3 – 2018 -2024
MODEL Y – 2020 – 2025
CYBERTRUCK
MODEL Y JUNIPER
MODEL 3 HIGHLAND

INSTALLATION EXPERIENCE

Installation of PowerBass Speakers requires experience with a variety of mechanical and electrical procedures. This manual only provides general installation and operation instructions. If you have any reservations about your installation skills or lack of proper tools, please contact your local PowerBass dealer for assistance.

The TESLA Model 3, Y, and Cybertruck come equipped with multiple speakers located around the passenger areas. The PowerBass OE Direct Fit Series have been designed to fit in these locations and require no wires to be cut, or holes to be made in the installation process. Please note that the Cybertruck, Highland, and Juniper Models have additional fitments or locations that we do not support at this time.

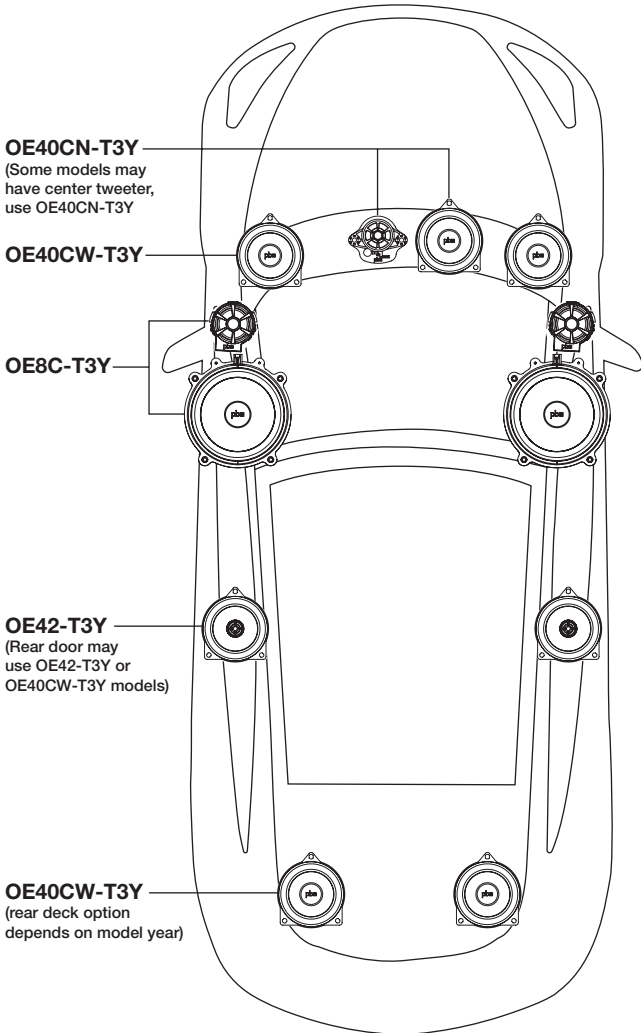
OE40W-T3Y will be used primarily in the dash location for Model 3 and Y but can also be used in the rear doors of your Cybertruck, or optionally in the rear deck of your TESLA. If yours comes equipped with this option. To replace all 3 of the speakers in the dash of the Model 3 and Y you will need the OE40W-T3Y and OE40CN-T3Y kits. Accessing this location is simple by lifting your factory grill using a panel removal tool and gently and evenly lifting the grill out of its mounting tabs. Once removed you can access the OEM speakers. Please note that reaching the mounting screws will require a specialized tool and you will need to be mindful of your windshield. Once you have removed the screws your PowerBass OE Series Speaker will drop into place and Plug and Play with the OEM speaker harness. * Note some models are not equipped with the center tweeter from the OE40CN-T3Y Kit and it would not be used.

The Front Door locations of your TESLA house the 8" woofer and tweeter combos found in the OE8C-T3Y. The PowerBass kit comes complete with both woofer and tweeters so that you can replace the entire set into both doors. You will first want to remove the A pillar where the tweeter is mounted. This is done by gently pulling back and lifting the pillar up to access the tweeter, simply unplug and rotate to remove the tweeter from the housing. Next, locate the factory bolts holding the door panels in place, remove them and gently pull the door panel out to access the speaker. The PowerBass OE8C-T3Y Woofer will bolt into place and the OEM harness will plug into place just like the factory speaker!

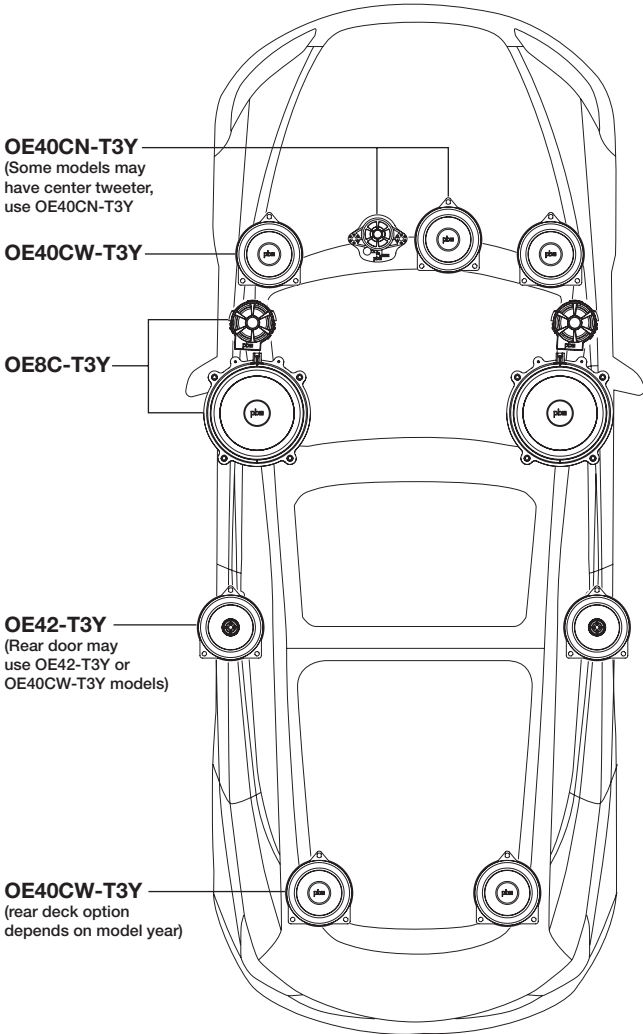
The rear door speakers of your TESLA can be accessed the same way by locating the factory bolts holding the door panels in place, removing them and then applying a slight force to pull the door panel out to access the speaker. These speakers are plastic welded into the panel and will need to have the weld material cut away to remove the speaker from the door panel. To install the PowerBass OE42-T3Y Coaxial (OE40CW-T3Y optional) you will then use the supplied screws to secure the speaker to the door panel and plug the speaker harness into place.

If you are unsure about removing the panels safely, we always suggest leaving the installation up to a certified installer and PowerBass Authorized Dealer to ensure the best installation experience possible.

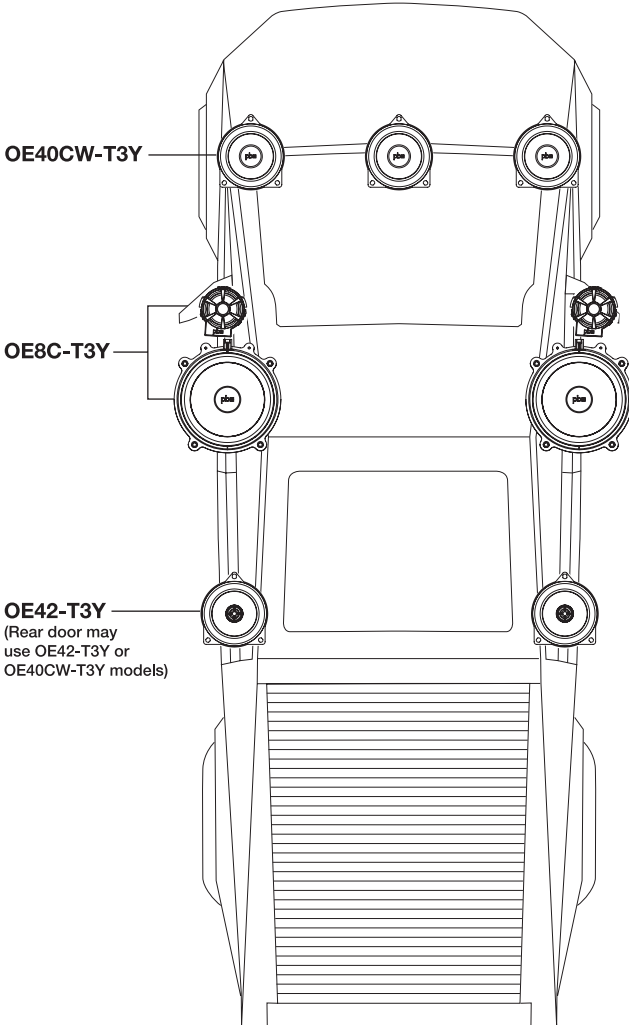
TESLA MODEL 3 SPEAKER LOCATIONS



TESLA MODEL Y SPEAKER LOCATIONS



TESLA CYBERTRUCK SPEAKER LOCATIONS



POWERBASS LIMITED WARRANTY POLICY

PowerBass USA, Inc. offers limited warranty on PowerBass products under normal use on the following terms:

PowerBass Autosound Speakers are to be free of defects in material and workmanship for a period of one (1) year.

This warranty applies only to PowerBass products sold to consumers by Authorized PowerBass Dealers in the United States of America. Products purchased by consumers from a PowerBass dealer in another country are covered only by that country's Distributor and not by PowerBass USA.

This warranty covers only the original purchaser of PowerBass product. In order to receive service, the purchaser must provide PowerBass with the receipt stating the consumer name, dealer, product and date of purchase.

Products found to be defective during the warranty period will be repaired or replaced (with a product deemed to be equivalent) at PowerBass's discretion and will not be liable for incidental or consequential damages. PowerBass will not warranty this product under the following situations:

- **Speakers received with bent frames or water damage**
- **Abuse such as holes in the cone, surround or ripped spider**
- **Voice coil damage due to amplifier clipping or distortion**
- **Product that has not been installed according to this owners manual**

Any implied warranties including warranties of fitness for use and merchantability are limited in duration to the period of the express warranty set forth above. Some states do not allow limitations on the length of an implied warranty, so this limitation may not apply. No person is authorized to assume for PowerBass any other liability in connection with the sale of this product.

Please call (909) 923-3868 for PowerBass Customer Service. You must obtain an RA# (Return Authorization Number) to return any product to PowerBass. The RA number must be prominently marked on the outside of the shipping carton or the delivery will be refused. Please pack your return carefully; we are not responsible for items damaged in shipping. Return the defective product along with a copy of the original dated retail sales receipt to:

**PowerBass USA, Inc.,
Attn: Returns (RA# _____)
2133 S. Green Privado Ontario, CA 91761**

Residents of HI, AK and US territories will be charged for return shipping. All inquires regarding service and warranty should be sent to the above address.

Removed or altered serial numbers will void this warranty



PowerBass Autosound – A division of PowerBass USA, Inc.

2133 S. Green Privado – Ontario, CA 91761

Tel. (909) 923-3868 – Fax (909) 923-8048

www.powerbassusa.com