

# powerbass®

X T R E M E



**XL-SBCON**

---

**WIRED SOUNDBAR CONTROLLER**  
for XL-1000 and XL-800

## **Application Guide**

*Please read through this manual to familiarize yourself with your new Controller. Should your PowerBass Xtreme Controller ever require service, you will need to have the original dated receipt.*



# Dimensions

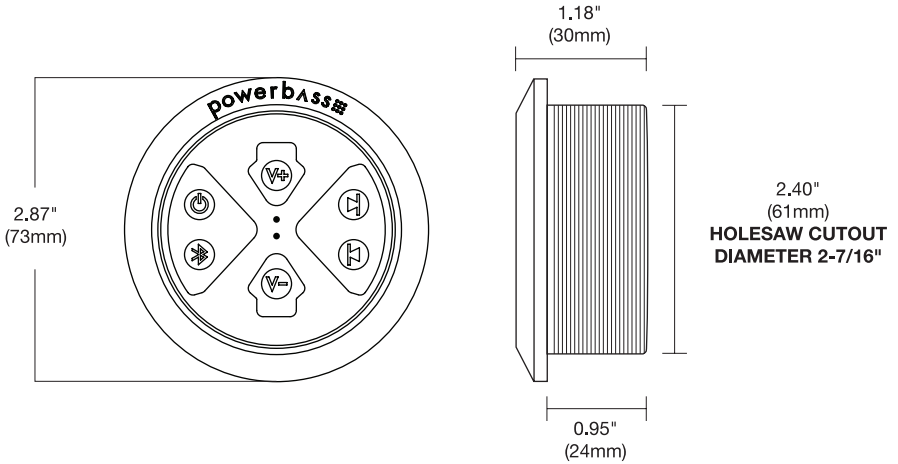


Fig.1

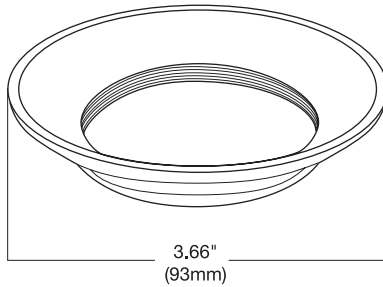


Fig.2

# CONTROLLER LAYOUT AND OPERATION

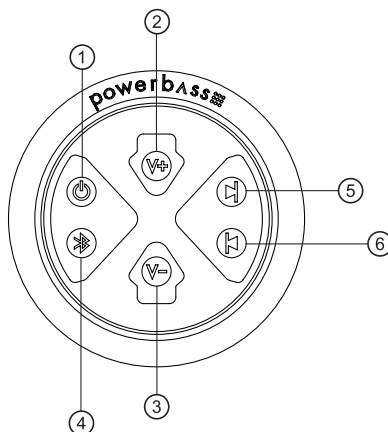


Fig.3

## 1) POWER/MUTE/PAUSE BUTTON

Press and hold the button down for 3 to 5 seconds to power unit on/off.

Press the button momentarily to pause the music in Bluetooth mode and once again to un-pause.

Press the button momentarily once to mute the music in AUX mode and once again to un-mute.

## 2) VOLUME UP BUTTON

Press the volume up button momentarily to raise the volume. Press the volume up button repeatedly until the desired volume level is achieved. There will be an audible beep once maximum volume is reached

## 3) VOLUME DOWN BUTTON

Press the volume down button momentarily to lower the volume. Press the volume down button repeatedly until the desired volume level is achieved.

## 4) BLUETOOTH / AUX BUTTON

Press Bluetooth/Aux button to switch between Bluetooth and auxiliary input.

Press the Bluetooth/Aux button to pair a Bluetooth device if no device is currently paired.

## 5) TRACK FORWARD BUTTON

Press the Track Forward button momentarily to skip to the next song (Bluetooth mode only).

## 6) TRACK BACK BUTTON

Press the Track Back button momentarily to skip back to the previous song (Bluetooth mode only).

# INSTALLATION INSTRUCTIONS

**TOOLS NEEDED:** Power Drill and a 2-7/16" Hole Saw

- 1) Find a location where you want to mount the controller, make sure you have enough clearance away from any wire, fuel or brake lines and having at least 2-1/2 inches of mounting depth.
- 2) Use a 2-7/16" inch hole saw to make a hole where you want to locate the controller.
- 3) Connect one end of the waterproof cable to the back of the controller and hand tighten the cable. Now use the threaded mounting flange to secure the controller in place (fig 2). The mounting flange can be used in either direction depending on the thickness of the mounting surface you're installing it in. Tighten the flange by hand until the controller is secure. If you desire you can use silicone sealant from underneath the controller to make sure it is sealed and secured.
- 4) Route controller cable to the XL-800/XL-1000. Connect the other end of the waterproof cable to the side of the XL-800/XL-1000 external controller connector (fig. 4) hand tighten the cable.
- 5) Now you are able to control your sound bar from either location.

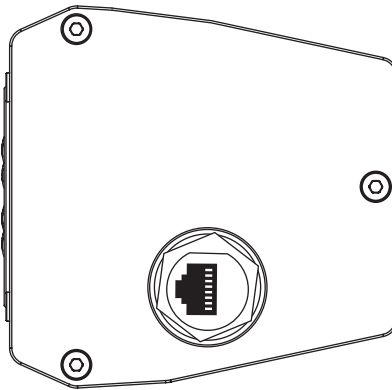


Fig.4 External Controller Port for  
XL-SBCON

## **BLUETOOTH PAIRING AND OPERATION**

- 1)** Turn sound bar on by holding power button for 3-5 seconds, there will be an audible beep to confirm the soundbar is on.
- 2)** Press the Bluetooth button and you will hear an audible sequence of tones to confirm soundbar is now ready to pair with your device along with flashing back lights.
- 3)** Go into the Bluetooth settings of your device and search for either the XL-800 or XL-1000 signal to pair. Once paired, there will be an audible beep to confirm that the soundbar and your Bluetooth device has paired successfully.
- 4)** Once the pairing process is complete, use either the main controller, XL-SBCON or connected device to control volume up and down, track back or forward, and pause/mute.
- 5)** The connection of a external controller does not bypass the main controller, both can be used as well as your connected device.

## **Auto-Turn Off Circuit**

When finished using the soundbar, manually power off the unit by pressing and holding the Power Button for 3-5 seconds, there will be an audible beep to confirm that the unit is off. To prevent battery drain, the soundbar is equipped with an Auto-Turn off Circuit. After 10 minutes of non-activity this circuit will turn off the soundbar and controller automatically. To resume play back after the Auto-Turn off circuit has been engaged, simply press the Power Button.

# POWERBASS XTREME LIMITED WARRANTY POLICY

PowerBass USA, Inc. offers limited warranty on PowerBass products under normal use on the following terms:

**PowerBass Xtreme Accessories are to be free of defects in material and workmanship for a period of one (1) year.**

This warranty applies only to PowerBass products sold to consumers by Authorized PowerBass Dealers in the United States of America. Products purchased by consumers from a PowerBass dealer in another country are covered only by that country's Distributor and not by PowerBass USA.

This warranty covers only the original purchaser of PowerBass product. In order to receive service, the purchaser must provide PowerBass with the receipt stating the consumer name, dealer, product and date of purchase.

Products found to be defective during the warranty period will be repaired or replaced (with a product deemed to be equivalent) at PowerBass's discretion and will not be liable for incidental or consequential damages. PowerBass will not warranty this product under the following situations:

- **Speakers received with bent/cracked frames or significant water damage**
- **Abuse such as holes in the cone, surround or ripped spider**
- **Voice coil damage due to amplifier clipping or distortion**
- **Amplifiers received with apparent rust or corrosion**
- **Any evidence of liquid damage or exposure to excessive heat**
- **Attempted repairs or alterations of any nature**
- **Product that has not been installed according to this owners manual**

Any implied warranties including warranties of fitness for use and merchantability are limited in duration to the period of the express warranty set forth above. Some states do not allow limitations on the length of an implied warranty, so this limitation may not apply. No person is authorized to assume for PowerBass any other liability in connection with the sale of this product.

**Please call (909) 923-3868 for PowerBass Customer Service.** You must obtain an RA# (Return Authorization Number) to return any product to PowerBass. **The RA number must be prominently marked on the outside of the shipping carton or the delivery will be refused.** Please pack your return carefully; we are not responsible for items damaged in shipping. Return the defective product along with a copy of the original dated retail sales receipt, plus \$12.00 for handling and diagnostic evaluation to:

**PowerBass USA, Inc.,**

**Attn: Returns (RA# \_\_\_\_\_)**

**2133 S. Green Privado, Ontario, CA 91761**

Residents of HI, AK and US territories will be charged for return shipping. All inquires regarding service and warranty should be sent to the above address.

**Removed or altered serial numbers will void this warranty**



PowerBass Xtreme – A division of PowerBass USA, Inc.

2133 S. Green Privado, Ontario, CA 91761

Tel. (909) 923-3868 – Fax (909) 923-8048

[www.powerbassusa.com](http://www.powerbassusa.com)