

powerbass®

A u t o S o u n d



PS-AWB101T
PS-AWB121T

AMPLIFIED THIN SUBWOOFER AIR SUSPENSION SYSTEM
Application & Enclosure Guide

Please read through this manual to familiarize yourself with your new subwoofer. Should your PowerBass Autosound Subwoofer System ever require service, you will need to have the original dated receipt.



Thank you and Congratulations

Congratulations on your purchase of a PowerBass Autosound speaker system. You now own a speaker of uncompromising design and engineering from a factory that truly believes in the relentless pursuit of perfection. Incorporating the highest quality parts and state-of-the-art materials, these speakers display the ultimate balance between high fidelity, performance and long-lasting reliability.



At PowerBass USA, Inc. we are confident you will have many years of outstanding enjoyment from this great SPEAKER investment. For maximum performance we recommend that you have your new PowerBass Autosound product installed by an Authorized PowerBass Autosound Dealer.

To learn more about PowerBass, please visit us on the World Wide Web at
<http://www.powerbassusa.com>

Δ Warning Δ

Continuous exposure to sound pressure levels in excess of 100 dB can cause permanent hearing loss. PowerBass Autosound Speakers are capable of producing sound pressure levels well over 170 dB. Please observe all local sound ordinances while listening to your PowerBass Autosound system. PowerBass USA, Inc. accepts no liability for hearing loss, bodily injury, or property damage due to the result of use or misuse of this product.

POWERBASS AMPLIFIED BASS SYSTEM FEATURES

Built-in High Powered Amplifier: Contains a high power Class A/B monaural amplifier complete with chassis mounted adjustable Gain, Low Pass Filter and Bass Eq controls for sonic integration into most existing factory or aftermarket car stereo systems and engineered perfectly to power the subwoofer.

Heavy-duty Box Design: This enclosure is constructed from non-resonant 5/8" panels that have been glued, braced and sealed. Each box is finished in a stylish two tone RFG aviation grade vinyl covering.

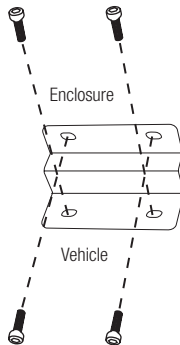
Remote Subwoofer Level Control: This wired remote functions as a Bass Level control and can provide output adjustments from the driver's seat. The remote will not increase the output beyond the GAIN setting on the amplifier. Supplied with 18ft of cable it can reach your dash even when the bass enclosure is mounted in the trunk.

Injection Molded Cone with Rubber Surround: A thermoplastic polymer cone was selected to help resist moisture and other elements while the rubber surround offers more excursion as well as protection against deterioration than other materials.

KSV High Temperature Voice Coil: These specially designed resin coated high temperature Kapton® voice coils measure a full 2-inches in diameter to ensure high power handling and precise linear excursion while maximizing thermal heat dissipation.

Additional Features: Vinyl enclosure, professional mounting hardware and wiring harness adds further value to your investment.

Custom Mounting Brackets: Two brackets each with one side marked Vehicle and the other Enclosure. Use two of the brackets on each enclosure to properly secure the cabinet.



Custom Mounting Bracket

Kapton® is a registered trademark of E.I. du Pont de Nemours and Company

SPECIFICATIONS FOR PS-AWB SUBWOOFER SYSTEM

(Due to Constant Improvements, Specifications and Parameters are subject to change without notice.)

Model	Size	System Impedance	Frequency Response	Sensitivity 1W/1M	Magnet Size	Voice Coil Dia.	Amp Power RMS/Peak
PS-AWB121T	Single 12"	4-ohm	36Hz-250Hz	91dB	45 oz.	2.0"	200W/400W
PS-AWB101T	Single 10"	4-ohm	38Hz-280Hz	91dB	40 oz.	2.0"	175W/350W

UNPACKING THE ENCLOSURE

Every attempt has been made to transport your new PowerBass PS-AWB subwoofer system safely. Carefully unpack the enclosure and inspect it thoroughly for any damage that may have occurred during shipping. Notify your local PowerBass dealer immediately should you notice any damage prior to installing the unit. Be sure to keep the carton and packing material until your system is operational. The original boxes will do the best job of protecting your speaker system if they need to be transported.

INSTALLATION EXPERIENCE

Installation of PowerBass Autosound Speakers requires experience with a variety of mechanical and electrical procedures. This manual only provides general installation and operating instructions. If you have any reservations about your installation skills or lack the proper tools, please contact your local PowerBass Autosound dealer for assistance.

IMPORTANT: This amplified subwoofer system is designed for operation in vehicles with 12-volt Negative ground electrical systems only.

ENCLOSURE PLACEMENT TIPS AND RECOMMENDATIONS

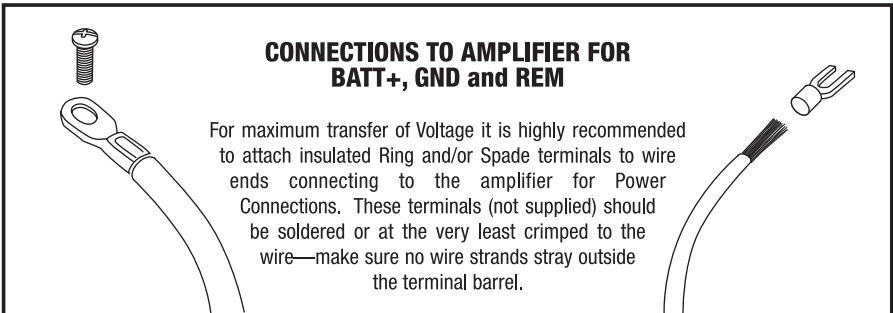
Your PowerBass Amplified Bass system must be properly placed in the vehicle for optimum performance. Choose a structurally sound location to mount your PowerBass amplified subwoofer enclosure. The output of the woofer needs to be "corner loaded" against the walls of the vehicle to produce the most bass (hard surfaces work best). Since the output of the woofer will be "corner loaded", the best location is likely to be behind the seat. However, don't be afraid to experiment with the placement as a little time and effort can have a great effect on the amount of bass produced. Below are some placement suggestions:

1) The amplifier heatsink end should be facing out.

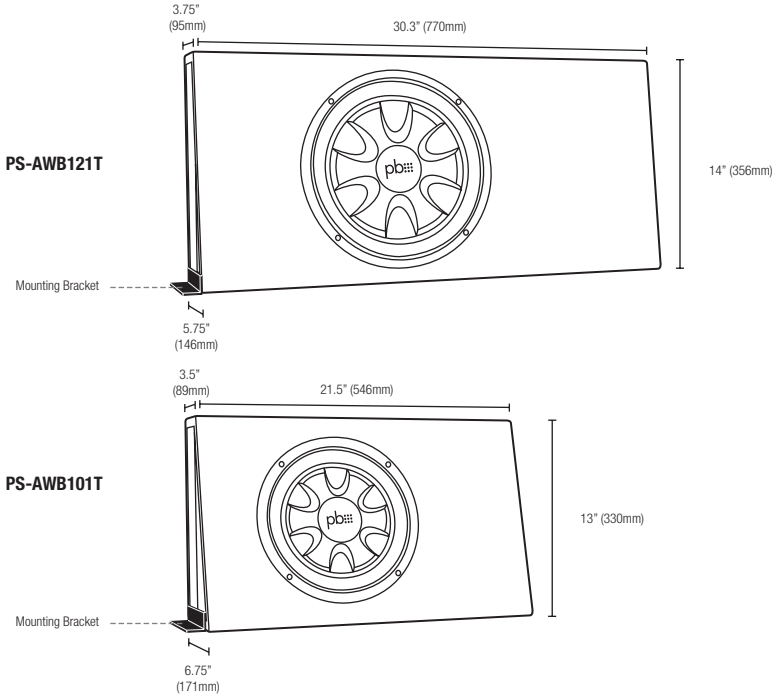
2) Ideally there should be several inches clearance between the amplifier heatsink and the seat or surface it is backed up to. Make sure the open port beside the woofer is not obstructed.

3) When all connections are made the final step should be to secure the enclosure using the mounting brackets provided so it remains securely in place.

WARNING: Make sure where ever you choose to place the enclosure it's a dry location on a solid surface. Take care that none of the mounting screws will pierce any wiring harnesses, brake or fuel lines, the vehicles fuel tank, spare tire or any other parts of the vehicle. Some or all of these may be located behind or under the mounting surface.



ENCLOSURE DIMENSIONS AND SPECIFICATIONS



NOTE: The speaker system must be secured to protect the enclosure from moving. Before final mounting, be sure to check the sound one last time and make sure the enclosure is properly placed to produce the desired bass output. Use the two mounting brackets provided and secure them to the enclosure as shown in the drawing above.

In some cases where there is no flat or even mounting area, it may be necessary to use a wooden board to fasten the enclosure to and properly secure the mounting brackets.

PS-AWB AMPLIFIER CONTROL PANEL LAYOUT

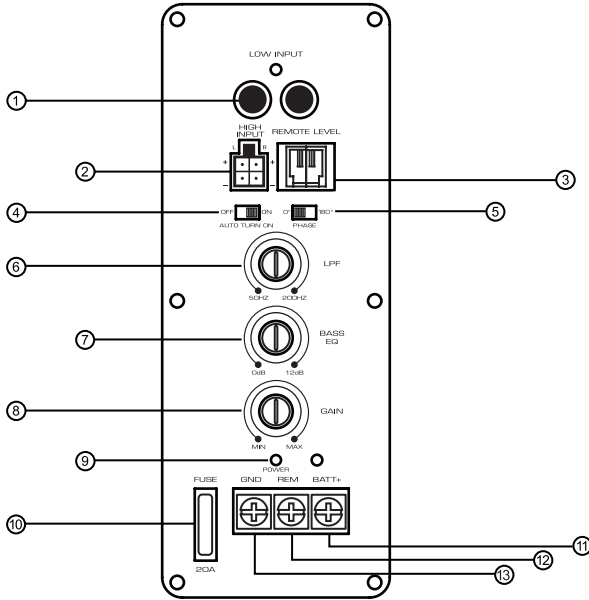


Fig.2

1. LOW INPUT (RCA) Jacks

These RCA style input jacks are for use with source units that have RCA line level inputs. A source unit with a minimum output of 100mV is required for proper operation. However, this input can accept levels up to 6Vrms.

2. HIGH INPUT

Use the High Input 4-pin Molex style jack when connecting to the speaker leads directly from a factory radio without the use of a low level convertor. Be sure to observe the correct speaker polarity. (Do not use if you are using the LOW INPUT from the RCA jacks).

3. REMOTE LEVEL (RJ45 Jack)

This is the connector port for the PS-AWB Remote Level control. Now the amplifiers secondary gain circuit can be adjusted from the driver's seat.

4. AUTO TURN ON (HIGH LEVEL INPUT MODE ONLY)

In the 'ON' position, the Auto Turn-On circuit will sense an input signal and turn the internal amplifier on without using a remote turn on lead.

5. PHASE Switch

This switch will reverse the phase of the speaker output without having to touch any wiring. 0 is normal. 180 reverses the output. Select whichever setting provides the most bass.

6. LPF (Low Pass Filter) Control

This filter allows the low pass of frequency and has an adjustable crossover point from 50Hz to 200Hz. A setting of 50Hz will produce only the low frequencies (deep bass). A max setting of 200Hz will allow the amplifier to produce a more punchy (higher) bass response.

7. BASS EQ Control

This equalization circuit is used to enhance the low frequency response of the vehicles interior. With up to 12dB of boost centered at 45Hz the Bass EQ can be adjusted to meet your personal taste. Please note that by boosting the Bass EQ to its full +12dB you are asking the amplifier to work 10 times harder!

8. GAIN Control

This control is used to match the sensitivity of the amplifier to the particular source unit (radio) that you are using up to 6 volts in Low Input Mode and up to 10 volts in High Input Mode. Please note the GAIN control is not a volume control, it is a level match.

9. POWER Indicator

This RED L.E.D. lights up when the power is on and the system is wired correctly. The LED will shut off if the unit is either in protect mode or powered down.

10. FUSE

For convenience most PowerBass AutoSound amplifiers utilize common automotive ATC type fuses. For continued protection in the event that a fuse blows, replace the fuse only with the same value. **PS-AWB110T uses a 15A fuse, PS-AWB112T uses a 20A**

CAUTION: These power fuses on the amplifier chassis are for protecting the amp against over current situation. To protect the vehicles electrical system, an additional fuse should be used within 18-inches of the battery on the 12V+ cable.

11. BATT+ (12 Volt Positive)

This terminal is the main power input for the amplifier and must be connected directly to the positive (+) terminal of the battery. A minimum of 10ga cable is required.

12. REM (Remote)

The amplifier in your PS-AWB enclosure can be turned on by applying 12 volts to this terminal. This can be on the rear of the source unit (radio) in the form of an electric antenna output or remote output. If this is not available you can wire up to the ACC position on the ignition key switch. An 18ga wire is sufficient to run the remote. **NOTE: If this unit is used in High Level Input Mode and the Auto Turn-On is switched on, there is no need to hook the remote wire up.**

13. GND (Ground Input Connection)

A good quality ground is required for the amplifier to operate a peak performance. A short length of cable the same gauge as your power cable (8ga is recommended) should be used to attach the ground terminal directly to the chassis of the vehicle. Make sure that all of the paint is sanded or scraped away to ensure a good quality ground connection.

POWER WIRING AND SIGNAL CONNECTIONS

POWER CONNECTION

BATT+ The amplifier should be wired directly to the vehicle battery using a 8ga power cable. Start at the vehicle battery and run the power cable through the vehicle's firewall using grommets to the amplifier's BATT + screw terminal. If factory grommets are not available install grommets yourself to protect the cable from sharp metal edges.

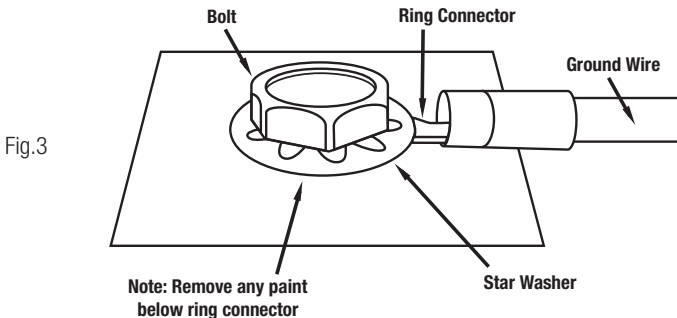
Avoid running the power cable over the engine components and near heater cores. The use of an in-line fuse or circuit breaker is a must, this will prevent the risk of potential fire caused by a short in the power cable. Connect the fuse holder or circuit breaker as close to the battery positive (+) terminal as possible (no farther than 18-inches from the battery).

The fuse or breaker amperage should be no greater than the fuse rating found on the amplifier control panel located on the side of the PS-AWB enclosure. You can now connect the cable to the battery, but remember to leave the fuse out or the circuit breaker "off" until the other cable connections are made. It is highly recommended that the cable end connecting to the amplifier is terminated with a spade or ring terminal.

IMPORTANT—You MUST install a fuse holder with an appropriate fuse in line with the power cable no further than 18-inches from the battery.

REM Run 18ga wire (not included) to the radio power antenna lead or remote output. This wire is responsible for turning the amplifier on and off. If the source unit (radio) is not equipped with a Remote lead you can connect this wire to an accessory or ignition point at the vehicle fuse block. In this type of installation, the amplifier will be on whenever the ignition is on.

GND A cable of the same size (gauge) as the power cable should be used to ground the amplifier. Connect the ground wire from the screw terminal marked GND on the amplifier control panel to the nearest bare-metal surface on the vehicle. Keep the length of the ground cable to an absolute minimum using a spade terminal at the amplifier end and ring terminal as shown in below at the chassis end (Fig 3).



INPUT SIGNAL (CHOOSING THE HIGH OR LOW INPUTS)

The PS-AWB amplifier control panel input signal connects to the head unit's High Level (speaker wire) output OR Low Level (RCA) output—provided the radio is so equipped with Line Out. A dedicated subwoofer or low level signal will deliver the best performance. If unavailable use the high level inputs, as will be the case with most factory head units. (Note once you have chosen whether you will use the High Level or Low Level inputs follow the corresponding wiring diagrams on the following pages)

NOTE: Never use BOTH High and Low Level inputs at the same time. You must select one or the other!

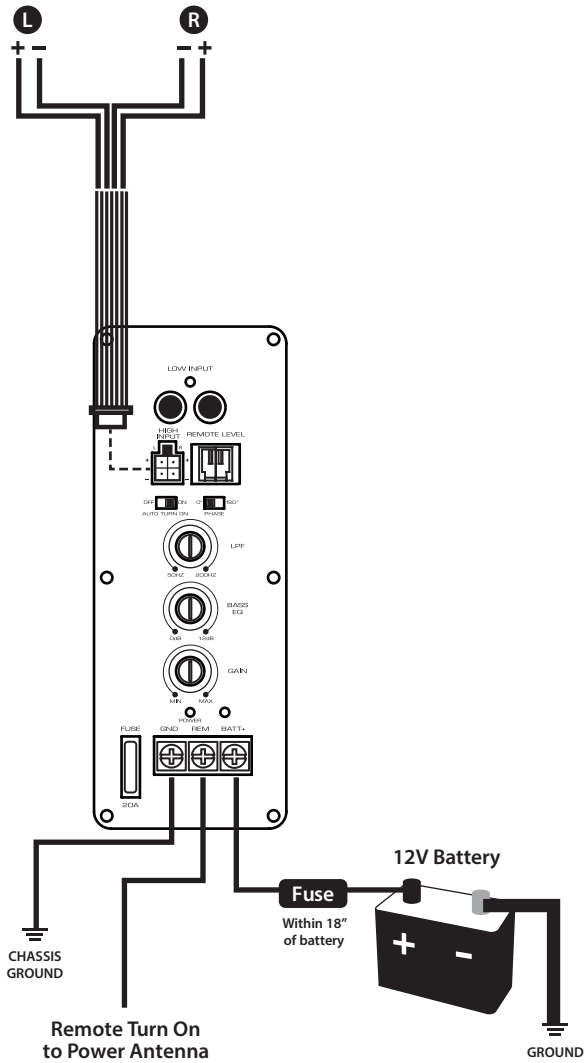
High Level Input Connections (fig 4)

For radios with only speaker outputs (including most Factory source units). Using the 4-pin Molex style wiring harness provided, splice directly into the radio's speaker outputs. Do not break the connection with the source (radio) and the speakers. Be sure to maintain proper speaker polarity.

<u>Wire Color</u>	<u>Connect to</u>
Red	Left +
Black	Left -
Red	Right +
Black	Right -

Another option is to tap off the existing front or rear full range speakers. Once again be sure to follow the correct polarity

Fig.4 High Level Connections



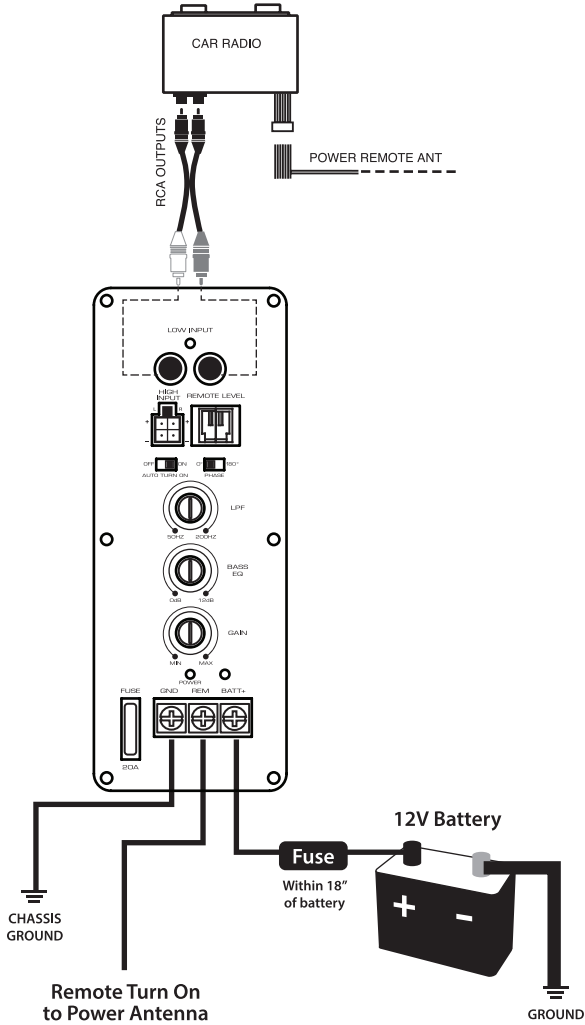
NOTE: Use 8ga power/ground wire for BATT+ and GND connections

Low Level Input and RCA Interconnect Wiring (fig 5)

For radios that have RCA line outputs. You will need to connect the low-level RCA style inputs from the PS-AWB to the line-outputs from the radio (source) via an RCA interconnect commonly called a “stereo patch cord”. Choose the correct length and style of RCA interconnects for your needs. Always use high quality RCA audio cables (not supplied) for signal connections—those with multiple layers of shielding or a twisted pair variety for better noise rejection.

Be extra careful when routing your RCA audio interconnect cables. Car environments are notorious for poorly insulated wires. This means that hiss, engine noise and fan noise can be easily picked up through RCA cables if run incorrectly. Take care to make sure the power and audio signal are not on the same side of the vehicle and they do not cross each other.

Fig.5 Low Level Connections



NOTE: Use 8ga power/ground wire for BATT+ and GND connections

SET UP ADJUSTMENTS

Your PS-AWB enclosure uses several controls to provide sonic integration with virtually any vehicles unique acoustic properties. Please read the following section carefully to familiarize yourself with the function of each control.

The following adjustment sequence is recommended to properly tune your PS-AWB enclosure. By first adjusting the GAIN, the LPF, then the PHASE switch, followed by the BASS EQ (in this order) will give you the best results.



Fig.6 GAIN Control

Input GAIN Control

This control allows you to match the input level of the amplifier to the output level of your head unit (Fig 6). Matching the input can be accomplished in four simple steps:

1. Make sure the remote gain control is not plugged in until after the master gain control is set.
2. Set the GAIN control on the amplifier to MIN (completely counter clock wise).
3. Turn on the head unit and adjust the volume to 2/3 maximum, and set the BASS and TREBLE on the radio (source) to zero or flat.
4. Turn the GAIN control clockwise until the sound just begins to distort, then back off slightly to cut distortion and operate at optimum gain.

Remember, the GAIN control is not a volume control. Ignoring these four steps above may leave you with a damaged woofer and/or damaged amplifier.



Fig.7 Low Pass Control (LPF)

LPF (Low Pass Filter) Crossover Adjustment

Since musical tastes vary, adjust the crossover by ear while listening to the music of your choice. Turn the crossover LPF adjustment all the way down to 50Hz. Then slowly turn the knob up until desired sound is achieved. Normal listening level should be right around 100Hz to 150Hz. Use common sense when adjusting the crossover. When properly adjusted, the bass from the PS-AWB enclosure should blend in with the rest of your speakers and not overpower the music. Be sure to set the tone controls of your radio (source unit) to flat while dialing in the crossover. (Fig 7)

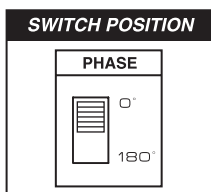


Fig.8 PHASE Switch

Setting the PHASE switch

Start with the PHASE switch set at 0° and play a favorite music track that contains some solid bass (make sure the BASS EQ control is set at the 12 o'clock position). Then flip the switch to 180° and listen to the same musical track again. Choose the setting that provides the best bass response according to your taste.



Fig.9 Bass EQ Control

BASS EQ Adjustment

This special feature is designed to provide you with more powerful sound quality and it allows you to increase the Bass up to +12dB. Keep in mind that more is not always better. Adjusting the control to the MAX (12dB) position will stress the amplifier and the woofer which could result in damage. (Fig 9)

NOTE: Although this adjustment sequence will in most cases provide the best tuning results, the actual process may include several readjustments of each of the controls since their settings interact with each other. If necessary, consult your Authorized PowerBass dealer for help tuning your system.

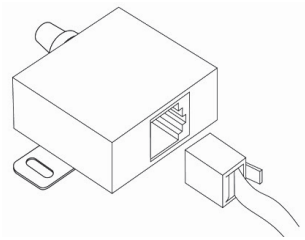


Fig.10 Connection with RJ45 Jack

Remote Level Controller

Your PowerBass PS-AWB enclosure includes a wired Remote Level Subwoofer control module. It uses standard telephone wire and telephone RJ45 connectors. To connect the Remote Subwoofer Gain control to the amplified enclosure, simply insert one end of the telephone plug into the REMOTE gain port. Plug the other end into the back of the remote module. Mount the module within easy reach or under your dash. (Fig 10)

NOTE: DO NOT plug in or disconnect the remote bass level controller when the amplifier is on!

Break In Period

To get the most from your woofer we recommend a "break-in" period of at least 40 hours (typically 2 weeks) at no more than 1/3 of maximum volume.

During this time the cone and spider assembly will gradually break in resulting in greater performance and more listening enjoyment.



Product Disposal – Certain international, national and/or local laws and/or regulations may apply regarding the disposal of this product. For further detailed information, please contact the retailer where you purchased this product or the PowerBass Importer/Distributor in your country.

TROUBLESHOOTING TIPS

Problem	Solution
Power LED not ON	<p>With a Volt OHM Meter (VOM) check:</p> <ul style="list-style-type: none"> • +12 Volt power terminal (should read +12 to +16VDC) • Remote turn-on terminal (should read +12 to +16VDC) • Ground Terminal
Power LED lights RED, no output	<ul style="list-style-type: none"> • Check RCA connections • Test speaker outputs with known good speaker • Substitute known good Source Unit • Check for signal on the RCA cable with VOM in AC position
Power LED lights RED, but volume reduces automatically.	<ul style="list-style-type: none"> • Advanced Protection Circuitry is engaging due to high internal temperature of the amplifier. Amplifier requires more air flow around the chassis. If this continues choose a better ventilated mounting location. • High operating temperature can be caused by incorrect input sensitivity level. Reset the GAIN control.
The RED LED is ON, no output and 1. Amp is VERY HOT 2. Amp shuts down ONLY when the vehicle is running 3. Amp plays at very low volume	<ul style="list-style-type: none"> • Thermal protection is engaged. Check for proper impedance at speaker terminals. Also check for adequate air flow around the amplifier. • Voltage protection engaged. Voltage to the amp is not within the 10-16 VDC operating range. Have the battery/charging system inspected. • Short circuit protection is engaged. Check for speaker wires shorted to each other or the vehicle chassis. Speakers operating below the minimum impedance can cause this to occur.
Alternator noise (varies with RPM)	<ul style="list-style-type: none"> • Check for damaged RCA cable. • Check routing of RCA cable • Check Source Unit for good ground • Check amp gain setting, turn down if set too high
Poor Bass Response	<ul style="list-style-type: none"> • Check speaker polarity, reverse the connection of one speaker only using the amplifier's PHASE switch.

This manual is the exclusive property of PowerBass USA, Inc.

Any reproduction of this manual, or use other than its intentions is strictly prohibited without the express consent of PowerBass USA, Inc.

Copyright 2016 PowerBass USA, Inc.

WE WANT YOU LISTENING FOR A LIFETIME

Dear Customer,

Selecting fine audio equipment such as the speakers you've just purchased is only the start of your musical enjoyment. Now it's time to consider how you can maximize the fun and excitement your equipment offers. PowerBass and the Consumer Electronics Association (CEA) want you to get the most out of your equipment by playing at a safe level. One that lets the sound come through loud and clear without annoying, blaring or distortion- and, most importantly, without affecting your sensitive hearing.

Sound can be deceiving. Over time your hearing " comfort level" adapts to higher volumes of sound. So what sounds "normal" can actually be loud and harmful to your hearing. Guard against this by setting your equipment at a safe level BEFORE your hearing adapts.

PowerBass and the CEA want you to listening for a lifetime!



WARRANTY NOTES

Should a warranty issue arise with our amplified subwoofer system PowerBass will replace the defective woofer only. Do not send the entire enclosure, unless the enclosure or amplifier is defective itself. PowerBass does not warranty the cosmetics of the enclosure once installed in the vehicle.

POWERBASS AUTOSOUND LIMITED WARRANTY POLICY

PowerBass USA, Inc. offers limited warranty on PowerBass products under normal use on the following terms:

PowerBass Autosound Speakers are to be free of defects in material and workmanship for a period of one (1) year.

This warranty applies only to PowerBass products sold to consumers by Authorized PowerBass Dealers in the United States of America. Products purchased by consumers from a PowerBass dealer in another country are covered only by that country's Distributor and not by PowerBass USA.

This warranty covers only the original purchaser of PowerBass product. In order to receive service, the purchaser must provide PowerBass with the receipt stating the consumer name, dealer, product and date of purchase.

Products found to be defective during the warranty period will be repaired or replaced (with a product deemed to be equivalent) at PowerBass's discretion and will not be liable for incidental or consequential damages. PowerBass will not warranty this product under the following situations:

- **Amplifiers received with apparent rust or corrosion**
- **Any evidence of liquid damage or exposure to excessive heat**
- **Abuse such as holes in the cone, surround or ripped spider**
- **Voice coil damage due to amplifier clipping or distortion**
- **Product that has not been installed according to this owners manual**

Any implied warranties including warranties of fitness for use and merchantability are limited in duration to the period of the express warranty set forth above. Some states do not allow limitations on the length of an implied warranty, so this limitation may not apply. No person is authorized to assume for PowerBass any other liability in connection with the sale of this product.

Please call (909) 923-3868 for PowerBass Customer Service. You must obtain an RA# (Return Authorization Number) to return any product to PowerBass. **The RA number must be prominently marked on the outside of the shipping carton or the delivery will be refused.** Please pack your return carefully; we are not responsible for items damaged in shipping. Return the defective product along with a copy of the original dated retail sales receipt, plus \$12.00 for handling and diagnostic evaluation to:

**PowerBass USA, Inc., Attn: Returns (RA# _____)
2133 S. Green Privado, Ontario, CA 91761**

Residents of HI, AK and US territories will be charged for return shipping. All inquires regarding service and warranty should be sent to the above address.

NOTE: Return only the part(s) that must be repaired or replaced. Do not send the entire system! It will only cause unnecessary delays and may result in damage that is not covered by this warranty.



PowerBass Autosound – A division of PowerBass USA, Inc.

2133 S. Green Privado – Ontario, CA 91761

Tel. (909) 923-3868 – Fax (909) 923-8048

www.powerbassusa.com